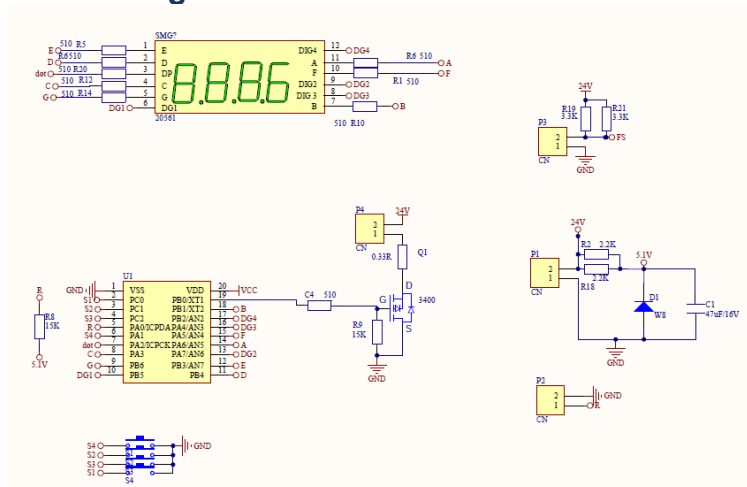


4.0 Distributor Information:

- Name: Willmann & Pein GmbH
- Address: Schusterring 35, 25355 Barmstedt, Germany
- Phone: +49 4123 92280
- Fax: +49 4123 9228-49

5.0 Circuit diagram:



Please note that electrical/electronic units must be disposed off separately. Do not dispose with household waste. The black bar on the “garbage bin” symbol indicates that the unit was put into circulation after August 13, 2005. Please note that the unit is subject to regulation 2002/96/EC (WEEE) and applicable following national laws and must be disposed off accordingly. Please contact your dealer if the unit needs to be disposed of.

LC LED Box Instruction For Use



1.0 General cautions:

- Read this manual carefully before operation.
- This machine should be operated by a professional user, who is trained as a dental technician.
- The built-in safety mechanism should not be removed or modified.
- Do not allow unauthorized persons to repair the machine.

1.1 Safety warning label information:



- Do not touch live electric parts.
- Turn off the power source and disconnect power cable before installing or servicing the machine.
- Do not turn off the machine when the machine is not in use.
- Do not use worn and damaged cables.
- Do not handle power cord with wet hands.



- Keep away from children.
- Always turn off the machine before cleaning.



- Caution! UV light hazard. Avoid eye and skin exposure. Wear proper eye and skin protection.



- Beware of crushing hands.

2.0 Check the package contents:

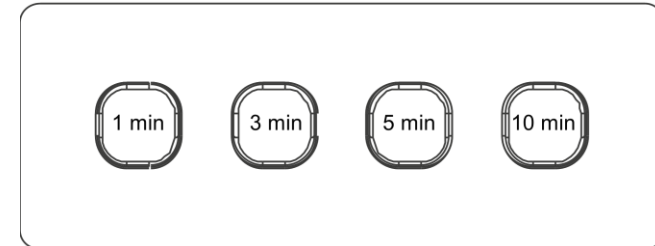
- LC LED Box
- User's Instruction manual
- Circuit diagram
- Declaration of conformity

2.1 Specification:

- Adapter: Rated input: 100-240vac 50/60 Hz
Rated output: DC24V/ 1.5A
- Max consumption: Max 48W
- Lamp: 36 LEDs
- Wavelength: 365+405nm
- Dimension: W: 245x D: 200x H: 100mm
- Weight: 905g

3.0 Operating:

- Connect D.C Adapter.
- The user can set working time by pressing timing button after the machine starts.



- Common timing buttons are 1min, 3min, 5min, 10min.
- A display shows working time. It shows time is counted down when 1min, 3min, 5min and 10min works are set.
- When the time fails to reach set time, it enters to standby state by pressing the timing button after the time is reset.
- This machine works only when the timing button is pressed and a drawer is inside the machine. If the user doesn't press the timing button or the user takes out the drawer during work, then the machine doesn't activate or lamps are turned off.
- Even though the drawer is inside the machine, LEDs are turned off when the work is finished.
- After the timer starts, when taking out the drawer and putting it back in, the timer starts again from the stopped time.